

Threaded End Connection

Series S Carbon Steel



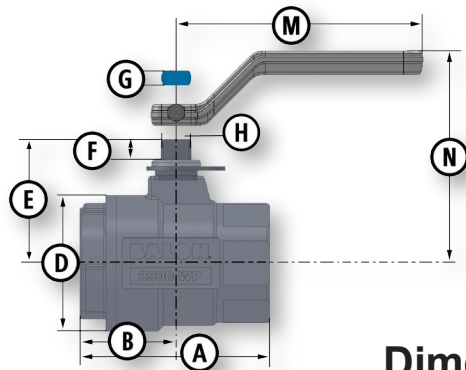
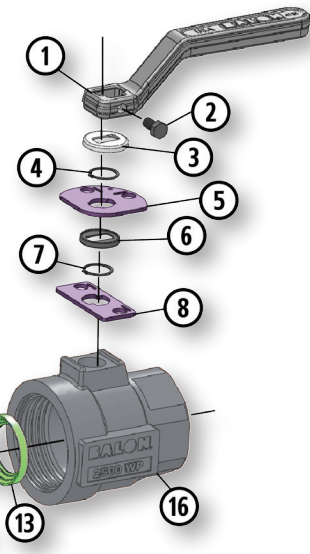
- Lever Operated Ball Valve
- To 5000 PSI WP
- 1" Through 2"
- Threaded Body Construction

- Available in Low-Temp Service to -50° F
- Multi-Seal Seats
- Fire Safe Design
- NACE Option With 316 Stainless Steel Ball and Stem Available
- Rugged Locking Device Standard
- Maintenance Free

Material Description

ITEM	PART NAME	MATERIAL (STANDARD)	MATERIAL (NACE)	LOW TEMP (NACE)
1	Handle*	Carbon Steel/Ductile Iron	Carbon Steel/Ductile Iron	Carbon Steel/Ductile Iron
2	Handle Bolt	Standard Hex Bolt	Standard Hex Bolt	Standard Hex Bolt
3	Weather Guard	Polyethylene	Polyethylene	Polyethylene
4	Lock Plate Retainer	Carbon Spring Steel	Carbon Spring Steel	Carbon Spring Steel
5	Lock Plate	Carbon Steel	Carbon Steel	Carbon Steel
6	Dust Cover	Polyethylene	Polyethylene	Polyethylene
7	Stop Plate Retainer	Carbon Spring Steel	Carbon Spring Steel	Carbon Spring Steel
8	Stop Plate	Carbon Steel	Carbon Steel	Carbon Steel
9	Stem O-Ring	Buna-N	Fluorocarbon	Fluorocarbon
10	Stem Seal	TFE	TFE	TFE
11	Stem	Carbon Steel	316 Stainless Steel	316 Stainless Steel
12	Ball	Carbon Steel Nickel Chrome Plated	316 Stainless Steel	316 Stainless Steel
13	Ball Seat	Nylon/Acetal (TFE Optional)	Nylon/Acetal (TFE Optional)	Nylon/Acetal (TFE Optional)
14	Body O-Ring	Buna-N	Fluorocarbon	Fluorocarbon
15	End Adapter**	ASTM A105	ASTM A105	ASTMA350 LF2
16	Body**	ASTM A105	ASTM A105	ASTMA350 LF2

*Handle is optional. Balon valves can also be operated with a standard open-end wrench.
 ** Material for body and end adapter is AISI 4140 on 5000 PSI WP valve.



Dimensional Data

SIZE	CATALOG NUMBER			PORT	WP	A	B	D	E	F	G	H	M	N	LBS	HANDLE	Cv
	STANDARD TRIM CARBON STEEL BALL & STEM	NACE TRIM 316 SS BALL & STEM	LOW TEMP 316 SS BALL & STEM														
1x1x1	1F-S03-SE	1F-S03N-SE	1F-S03NL-SE	1	3000	4	2	2.75	2.37	.50	.340	.685	4.37	2	4.5	P-333-CS	-
2x1.5x2	2R-S93-SE	2R-S93N-SE	N/A	1.5	2500	5.5	2.75	4.25	3.62	.75	.434	.873	7.25	5.25	14	P-4128-CS	125
2x1.5x2	2R-S03-SE	2R-S03N-SE	N/A	1.5	3000	5.5	2.75	4.25	3.62	.75	.434	.873	7.25	5.25	14	P-4128-CS	125
2x1.5x2	2R-S5M-SE	2R-S5MN-SE	N/A	1.5	5000	5.5	2.75	4.25	3.62	.75	.434	.873	10.25	5.62	14	P-4129-CS	125
2x2x2	2F-S93-SE	2F-S93N-SE	N/A	2	2500	6	3.12	4.87	4.37	.75	.497	.998	10.25	6.20	20	P-4129-CS	-
2x2x2	2F-S03-SE	2F-S03N-SE	N/A	2	3000	6	3.12	4.87	4.37	.75	.497	.998	10.25	6.20	20	P-4129-CS	-

BALON

06.2014.Rev.2